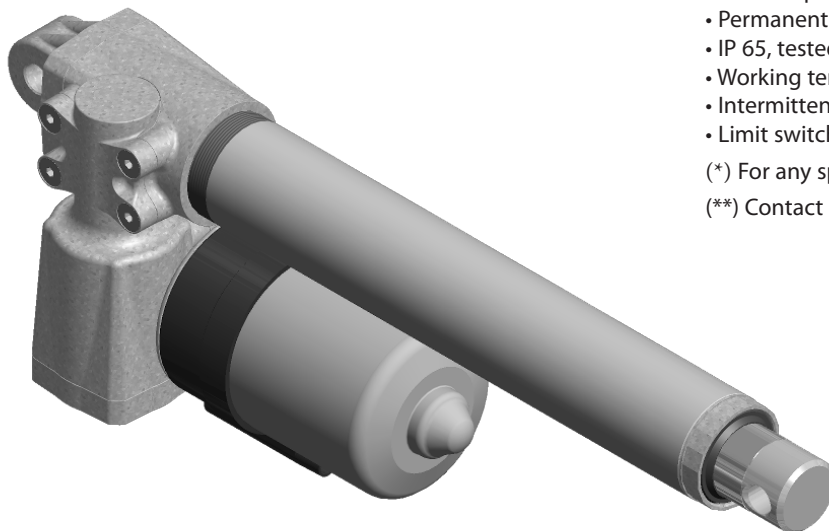


ALI2-P Model CE

- Permanent magnet motor CE
 - Double worm gearbox
 - Acme lead screw or ballscrew (VRS)**
 - Chrome plated steel push rod
 - Permanent grease lubrication
 - IP 65, tested according to rule CEI EN 60529
 - Working temperature range -10°C +60°C
 - Intermittent duty S3 30% (5 min) a 30°C*
 - Limit switches, potentiometer and encoder on request
- (*) For any special duty please contact our technical dept.
 (**) Contact our technical dept.



ALI2-P (Vdc)						
Fmax (N)	Speed (mm/s)	Version	Motor size	Motor Power (KW)	Motor speed (rpm)	Max Current for F max(A) 24Vdc
2400	30	M01	61.5	-	4000	8,2
2600	20	M02	61.5	-	4000	7,8
3000	15	M03	61.5	-	4000	6
4200	10	M04	61.5	-	4000	7
4200	7	M05	61.5	-	4000	5,8
4200	5	M06	61.5	-	4000	4,8
4200	2.5	M07	61.5	-	4000	3,2
4200	1.2	M08	61.5	-	4000	2,6
4200	0.6	M09	61.5	-	4000	1,8

**

When stroke is longer than 350mm, check STROKE SETUP section.

**For 12 Vdc power supply currents are doubled and loads are 20% lower.

BEFORE OPERATING ACTUATOR MAKE SURE YOU READ AND UNDERSTOOD BASIC OPERATIONAL INSTRUCTIONS SHOWN ON USERMANUALS, AVAILABLE FROM WEBSITE.

THIS DOCUMENT DISPLAYS MOST TYPICAL STANDARD FEATURES AND SETUPS: CONTACT OUR OFFICES FOR MORE.

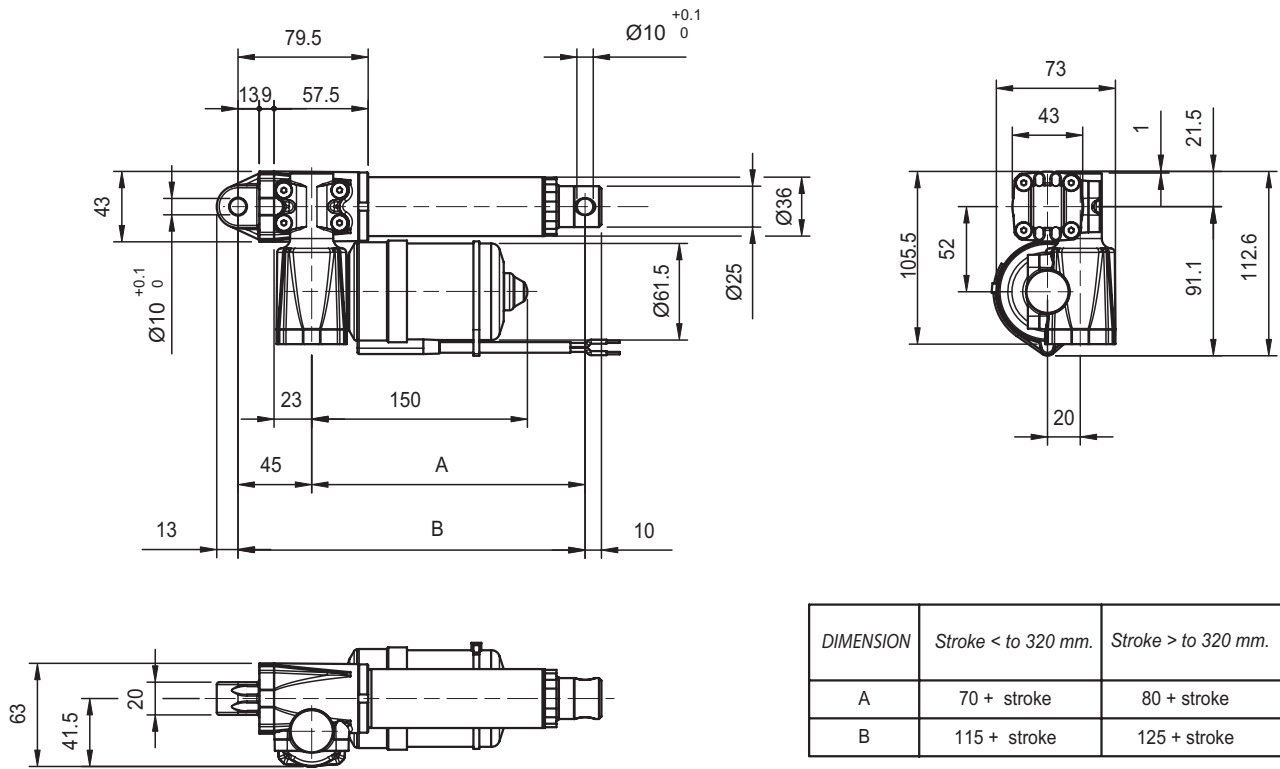
ACTUATOR SHALL NOT COME TO **MECHANICAL STROKE-END**, TO AVOID **FAILURES**.

CONSIDER MECVEL's LIMITSWITCHES (MODEL ALI2-F or ALI2-FCM) OR PUT THEM ON MACHINE/FRAME.

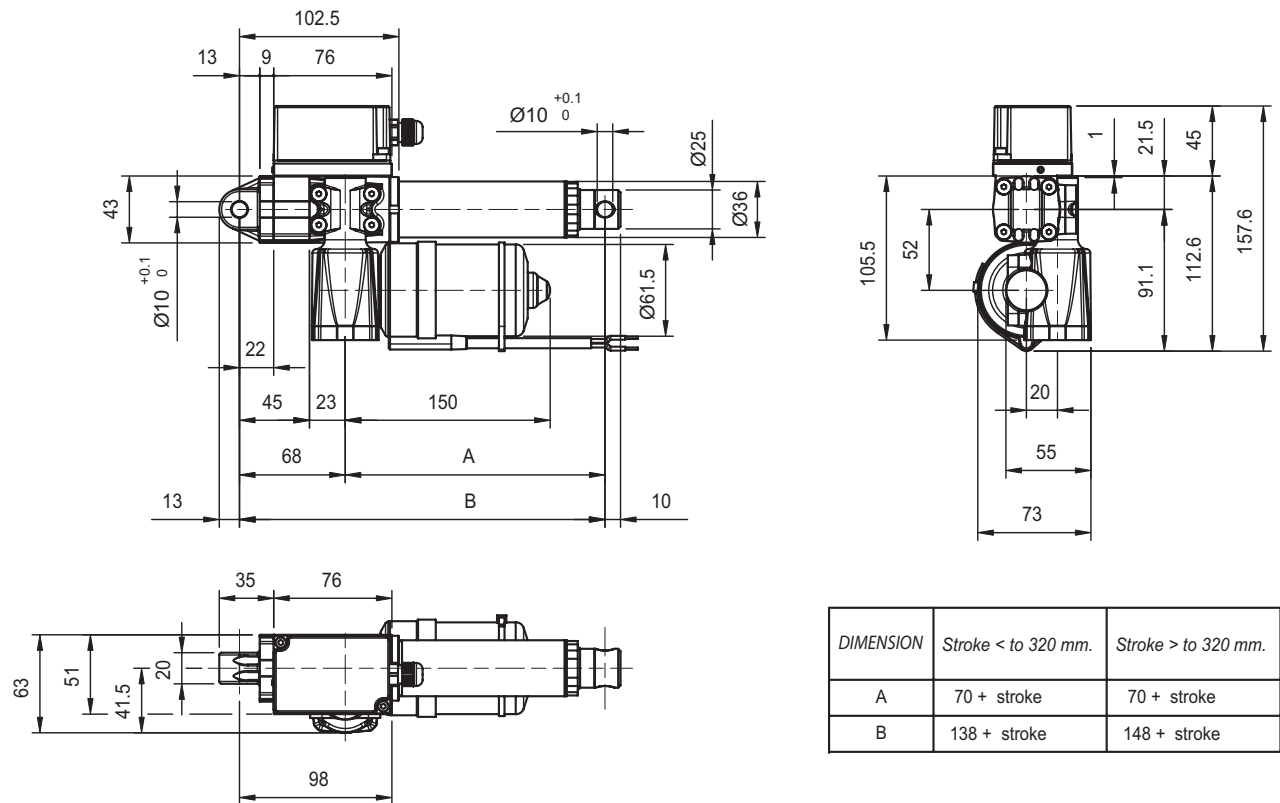


MecVel reserves the right to change products information and/or features without notice; all data contained in this catalogue are purely indicative and not binding for the company.

AL12-P Version without limitswitches



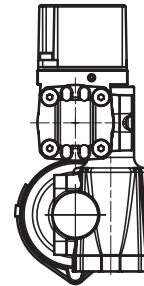
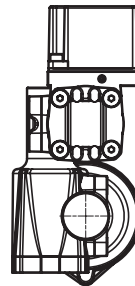
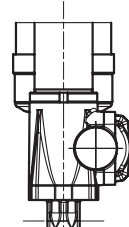
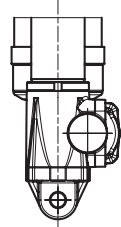
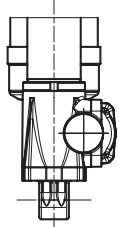
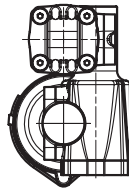
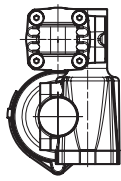
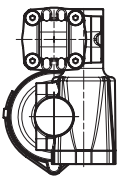
AL12-P-F Version with limitswitches



REAR ENDS

MOTOR POSITION

MOTOR AND LIMIT SWITCHES POSITION



P1 Standard

P2 Rotated 90°

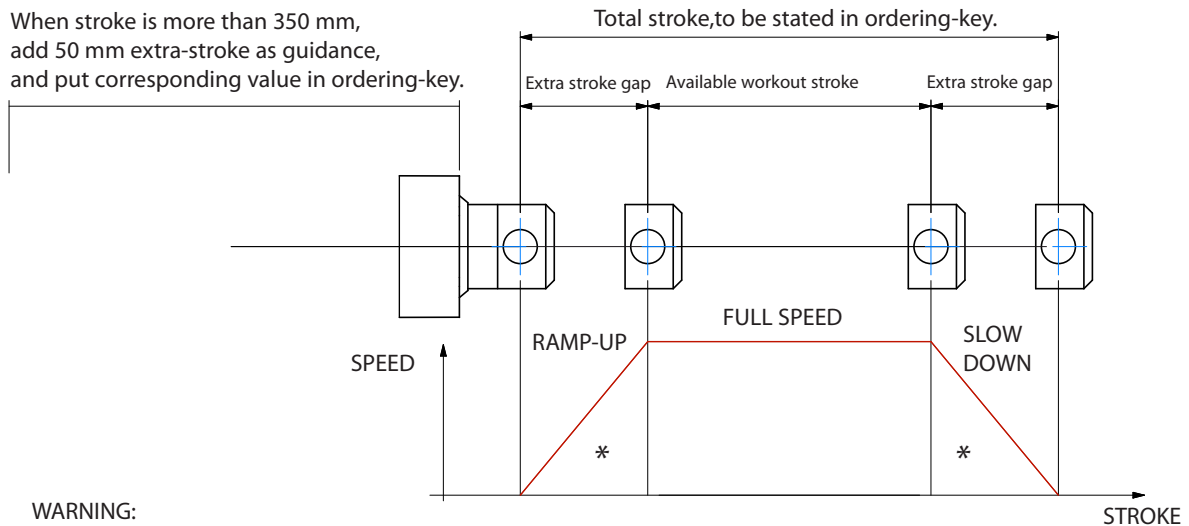
M0

M1 FC1

M0 FC1

STROKE SETUP: Useful tips for handling stroke and avoid run-on-block collision.

When stroke is more than 350 mm, add 50 mm extra-stroke as guidance, and put corresponding value in ordering-key.



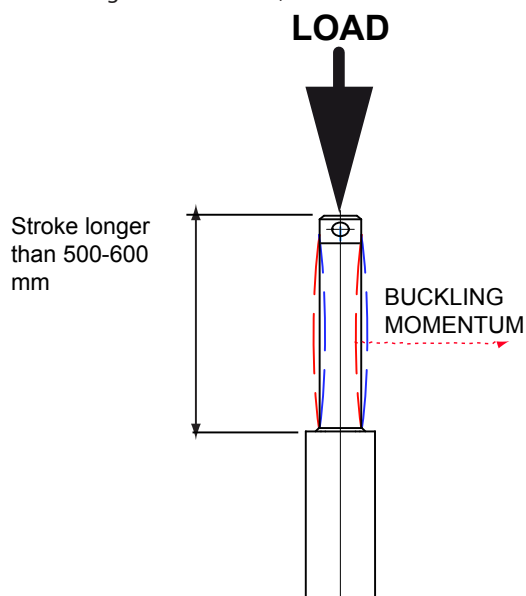
WARNING:

SPEED-TIMING ALONG STROKELENGTH:

ramps are extremely important with high speed !!! Inverter or PWM drive recommended!

* The more speed raises the more extra stroke has to raise too.

BUCKLING: With strokes longer than 500mm, BUCKLING can be a risk: please check mounting with our offices and/or see usermanuals.



IMPORTANT:

Long strokes, even if load is low, can generate significant buckling momentums, as sketch slows.

This happens when actuator is in its all-opened position: that's the reason why we recommend 100 mm extra-stroke.

Pushtube will have this 100 mm-portion always inside the overtube, improving guidance against buckling.

For more information on this, contact our office.

ORDERING KEY

ALI2P / 0250 / M01 / 61,5-24 / 2FC1 / P0T01A / E01 / M0FC1 / P1 / A1

MODEL:

ALI2-P ALI2-PF
ALI2-P-FCM

STROKE:

es. 250 mm = 0250

VERSION: (pag.25)

M01 / M02 / M03 / M04 / M05 / M06 / M07 / M08 / M09

M00 = Not standard speed

MOTOR: (available)

12 = 12 Vcc

24 = 24 Vcc

LIMIT SWITCHES: (Pag. ACCESORIES)

None: Leave blank

POTENTIOMETER: (Pag. ACCESORIES)

POT01A (1Kohm) POT10A (10Kohm) None: / Leave blank

ENCODER: (Pag. ACCESORIES)

None: Leave blank

LIMIT SWITCHES POSITION: (Pag. ACCESORIES)

M0FC1 M1FC1 None: Leave blank

REAR END:

P1 = Eyelet (standard)

P2 = Eyelet (90°)

FRONT END:

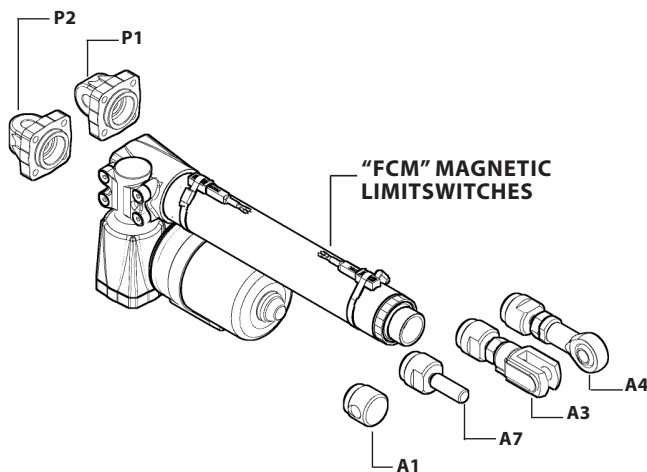
A1 = Eyelet (Std pag.28)

A4 = Rod end

A3 = Yoke + Clip

A7 = M10 male

NOTE: COMPLETE THE ORDERING KEY ADDING THE OPTIONS YOU CAN FIND IN THE "ACCESSORIES AND OPTIONS" SECTION.



Note: "B" dimension changes according to model

ALI2-P= See pictures

ALI2-P stroke > 320 mm = + 10 mm

ALI2-PF = + 23 mm

ALI2-PF stroke > 320 mm = +33

ALI2-P-FCM = + 33 mm

ALI2-P-FCM stroke > 320 mm = +43 mm

With safety nut "G" = + 30 mm

Bellows = + 20mm

